

HIGHFLO

170mm GUTTER SYSTEM

Designed to provide superior drainage with a flow rate of up to 6l/s, Highflo is a GOOD choice for super size roofs and commercial buildings.



GUTTER



	Code	Pack	£.Each
4 metre	GR515	5	74.15
	BR515	5	74.15
	WR515	5	74.15

JOINT BRACKET



	Code	Pack	£.Each
	GR042	10	9.60
	BR042	10	9.60
	WR042	10	9.60

SUPPORT BRACKET



Fix at 1m centres - max

2/3 screw fixing

	Code	Pack	£.Each
	GR452	20	5.75
	BR452	20	5.75
	WR452	20	5.75

90° ANGLE

See page 98 for special fabrications.



	Code	Pack	£.Each
	GR451	1	24.17
	BR451	1	24.17
	WR451	1	24.17

RUNNING OUTLET



	Code	Pack	£.Each
	GR454	1	18.56
	BR454	1	18.56
	WR454	1	18.56

Fits 110mm pipe.

STOPEND OUTLET



	Code	Pack	£.Each
	GR455	1	17.65
	BR455	1	17.65

Fits 110mm pipe.



EXTERNAL STOPEND



Code	Pack	£.Each
GR402	10	8.29
BR402	10	8.29
WR402	10	8.29

UNIFIT OUTLET

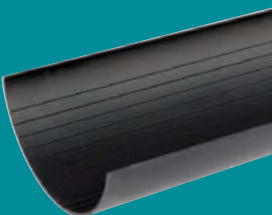
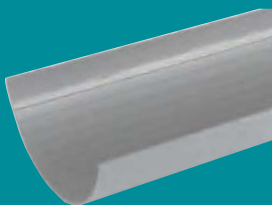
For use with flat bottom gutters



Code	Pack	£.Each
GR410	1	36.26

110mm Spigot.

CHOICE OF COLOURS
 & it's super strong too!



GOOD TO KNOW

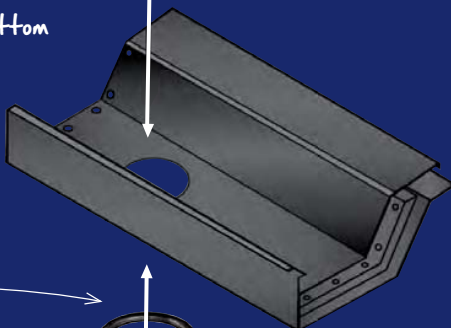


PLACE YOUR HIGHFLO DOWNPIPE ANYWHERE!

Threaded outlet



Flat bottom gutter



Seal

Spigot suits 110mm socket



Any flat bottom gutter no thicker than 15mm



Each product code is prefixed with a colour.

Example BR125, where 'B' = BLACK

DOWNPIPE



	Code	Pack	£.Each
3 metre	BS505	1	52.50
	GS505	1	52.50
	WS505	1	52.50
4 metre	BS506	1	74.38
	GS506	1	74.38
	WS506	1	74.38

PIPE CONNECTOR



Code	Pack	£.Each
BS208	1	14.50
GS208	1	14.50
WS208	1	14.50

DRAIN CONNECTOR



Universal
see pXX

Code	Pack	£.Each
BS121	1	20.64
GS121	1	20.64

BRACKET



Fix at 2m
centres
- max

Code	Pack	£.Each
BS217	10	5.35
GS217	10	5.35
WS217	10	5.35

BRACKET



Fix at 2m
centres
- max

Code	Pack	£.Each
BS219	10	5.58
GS219	10	5.58
WS219	10	5.58

SOCKETED DOWNPIPE



	Code	Pack	£.Each
3 metre	BS508	1	56.87
	GS508	1	56.87
	WS508	1	56.87

BRACKET - SOCKET



Fix at 2m
centres
- max

	Code	Pack	£.Each
Socket	BS220	10	5.46
	GS220	10	5.46
	WS220	10	5.46

BRACKET - PIPE/SOCKET



Fix at 2m
centres
- max

Code	Pack	£.Each
GS570	5	10.83

Galvanised.

110mm

SHOE



Code	Pack	£.Each
BS266	1	21.97
GS266	1	21.97
WS266	1	21.97

HOPPER HEAD



Code	Pack	£.Each
BR465	1	62.92
GR465	1	62.92
WR465	1	62.92

ACCESS PIPE



Code	Pack	£.Each
BS309	1	50.89
GS309	1	50.89

92½° BEND



Code	Pack	£.Each
BS322	1	32.44
GS322	1	32.44
WS322	1	32.44

112½° TOP OFFSET BEND



Code	Pack	£.Each
BS270	1	32.44
GS270	1	32.44
WS270	1	32.44

112½° BOTTOM OFFSET BEND



Code	Pack	£.Each
BS271	1	28.34
GS271	1	28.34
WS271	1	28.34

135° BEND



Code	Pack	£.Each
BS331	1	32.44
GS331	1	32.44
WS331	1	32.44

112½° BRANCH



Code	Pack	£.Each
BS336	1	48.99
GS336	1	48.99

92½° BRANCH



Code	Pack	£.Each
BS334	1	47.96
GS334	1	47.96